

# VERSO® PRODUCT DATA SHEET

## PRODUCT CODE

VCP12M

## PRODUCT RANGE

Metal Consumer Unit

## DESCRIPTION

Verso® 12 way 100A DP Mainswitch  
Consumer unit

## FEATURES

- 18th Edition Compliant
- 12 usable ways
- Lockable
- 100A DP Mainswitch isolator
- Silver coated busbar
- Installer kit included
- Neutral link included
- Tail Clamp included
- Knockout entry



## TECHNICAL INFORMATION

Height	265mm
Width	320mm
Depth (including lid)	104mm
Weight	3.4 KG
Mounting	Surface
Number of modules	14
Cable entry	Knockouts (top, side, bottom & rear)
Guarantee	10 Years
Frequency	50Hz/60Hz
Packaging	Box
IP Rating	IP4X
Mounting type	Din Rail
Lockable	Yes (requires VCPK-L)
RAL Colour	RAL 9010 Soft matt finish
Material	Steel
Cover type	Top side steel hinge (gravity led)
Manufacturer	Verso Electrical
Product range	Metal Consumer Units
Mainswitch rating	100
Poles	2
Cable clamp	Cage Clamp
Busbar rating	100A
SPD Type	N/A
Standards	BS EN 61439 1&3, BS EN 600947-3
Country of origin	PRC

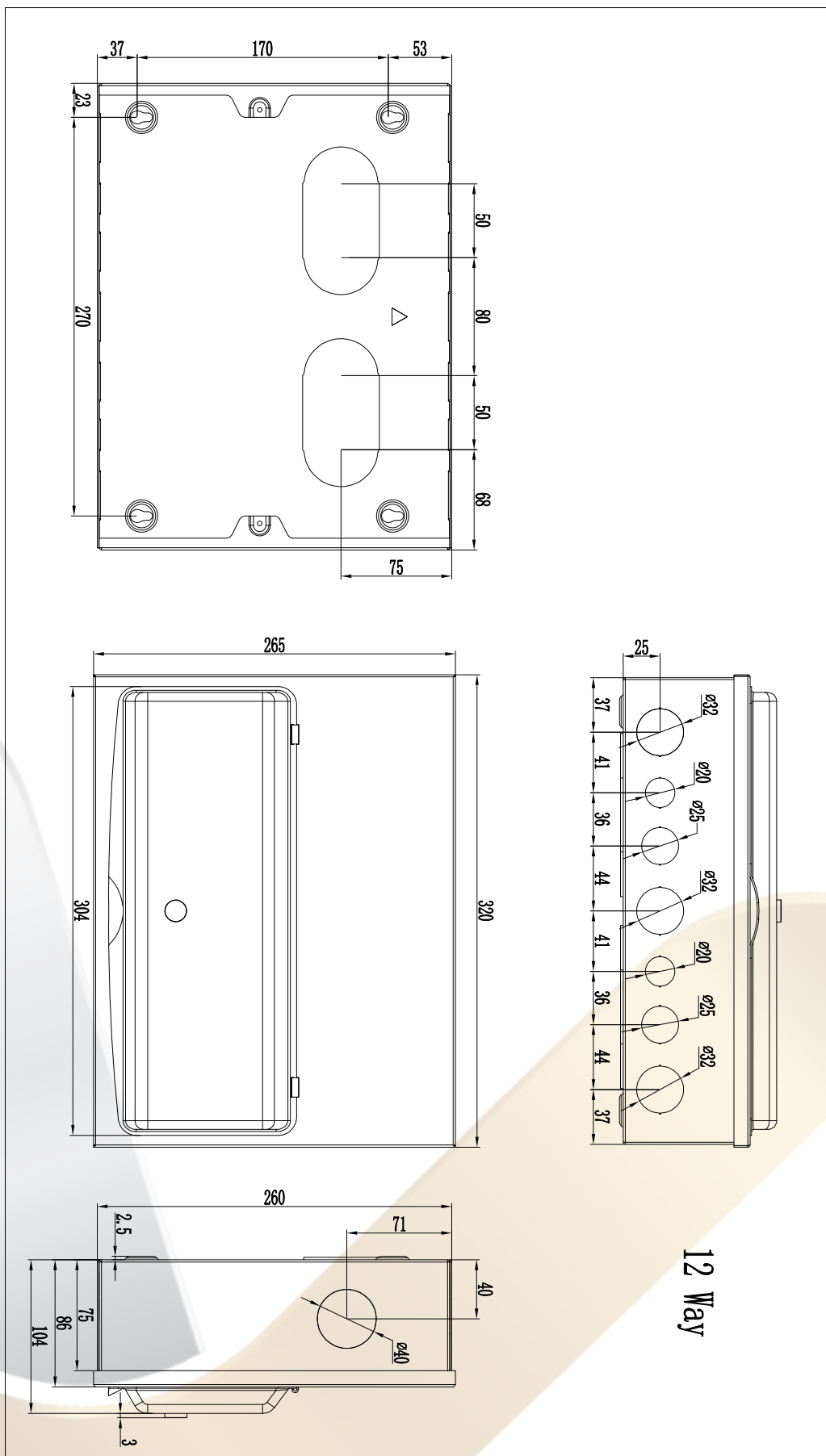
# VERSO® PRODUCT DATA SHEET

## PRODUCT CODE

VCP12M

## DESCRIPTION

Verso® 12 way 100A DP Mainswitch  
Consumer unit



## PRODUCT CODE

VCP12M

## DESCRIPTION

Verso® 12 way 100A DP Mainswitch  
Consumer unit

## INTENDED USE

Power distribution with to final final circuits  
through MCB's and RCBO's



## MANUFACTURER

Verso® Electrical  
PGL House (Floor 1), West Point Industrial  
Estate. Penarth Road. Cardiff. CF11 8JQ.  
United Kingdom

## RATINGS & CHARACTERISTICS

Voltage Rating	230V
Current Rating	100A
Frequency	50 Hz

## DESIGNATED STANDARDS

BS EN 61439 1&3  
BS EN 600947-3



I declare that the object of the declaration above is in conformity with the relevant harmonization legislation and national standards.

Signed on behalf of Verso® Electrical

William Winter (Ba/Bsc) | Managing Director